

THIS
CATALOGUE
CAN BE BRANDED WITH
YOUR COMPANY LOGO -
CONTACT US FOR MORE INFO!



Message Boards, Table Numbers & Notices

Be sure to get your message across with our extensive range of message boards, table top menu holders and table numbers and notices for Cafés, Pubs, Bars and Restaurants



Login to your Trade Account to
download the separate Trade Price
List or contact the Office

Wall Mounted Information Boards

Neptune Information Points

Attract your customers attention - Quick & Easy Information Change!

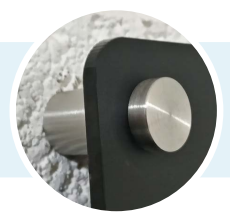
Stand out with these eye-catching custom printed information points. Full colour digitally printed panels with satin silver 'snap-open, snap-shut' frames, which make it quick and easy to display and update your menus and special offers or your latest news and forthcoming events. Supplied with satin silver stand-off wall mounts for that professional look.



How to Order

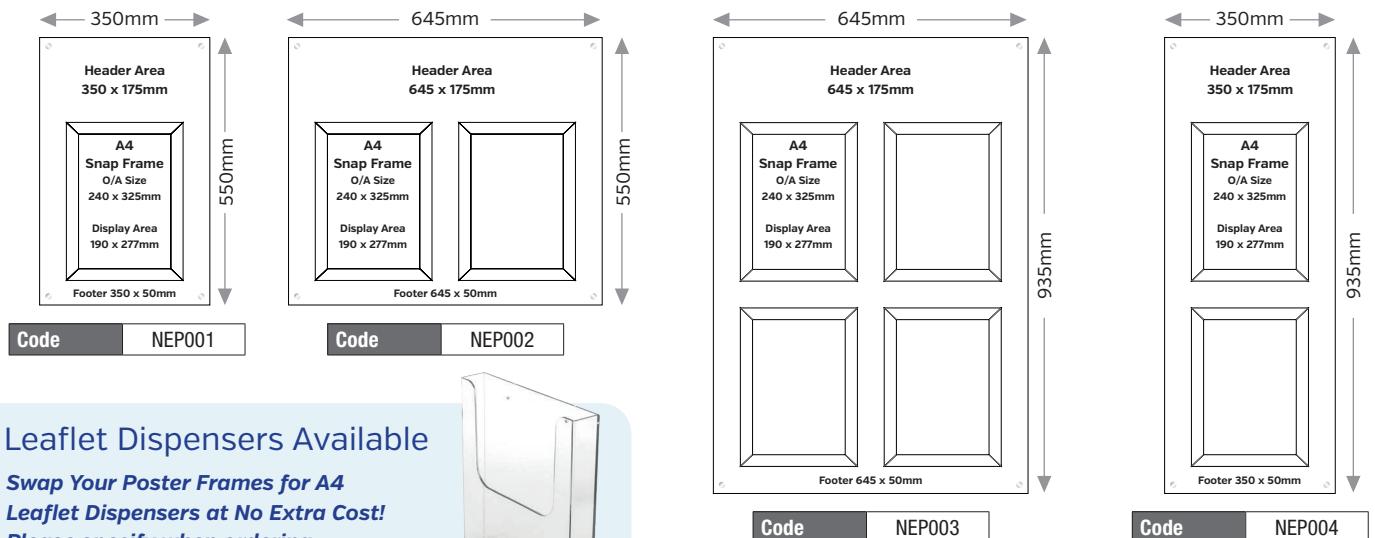
Simply select a panel and send us your artwork or design brief. Any logos, in-house styles or design requirements must be clearly explained in an email and supplied in high quality PDF or JPG format. Our design team will work with you to create the panel to your specifications and a proof will be provided for approval before going to print.

Supplied with Satin Silver Stand-Off wall mounts for a professional finish!



The Range

If you can't find the configuration that suits your needs, contact us and we can design and manufacture one for you.

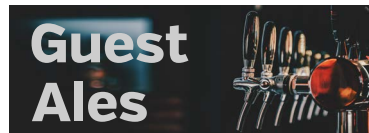


Leaflet Dispensers Available
 Swap Your Poster Frames for A4 Leaflet Dispensers at No Extra Cost!
 Please specify when ordering.



Pre-Designed Bar Message Boards

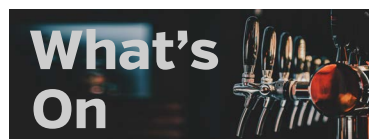
Our headed chalkboard bar message boards are ideal for displaying daily or weekly specials, events or promotions, wine lists and much, much more. Made from a 6mm thick melmine panel, our message boards, which can easily be cleaned with a damp cloth, are suitable for soft chalk and liquid chalk pens. **Overall size:** 420mm x 594mm. **Full Colour Printed Vinyl header with protective laminate:** 420mm x 150mm. Comes complete with concealed wall hanging fixings.



Code CMB001



Code CMB002



Code CMB003



Code CMB004



Supplied with metal hanging kit for concealed wall fixing.



Code CMB006



See page 7 for our full range of liquid chalk pens

Custom Printed Bar Message Boards

Your choice of text, your design. Get your brand message across!

How to Order

- 1 Specify the product code, CMB006 and the the text that is required. Send us your design brief via email, along with any logos, images or photos you wish to incorporate. Images must be sent in high resolution JPG or PDF format.
- 2 Confirm the quantity you need. A proof will be provided for approval.

Full colour vinyl header - Size: 420mm x 150mm with **Protective mat-laminate finish**

Our vinyl header panels are ideal for big and bold full colour printing to really make your brand message stand out! Ideal for photo printing.



Instead of a full colour print, white cut vinyl lettering is also available. Contact the office for further details.



Cut vinyl lettering available

Chalkboard Message Boards

Framed Chalkboard Panels



High quality UK made 6mm exterior grade moisture resistant melamine chalkboards, suitable for use with chalk or liquid chalk pens. The frames are manufactured from European Redwood and finished in a Dark Oak wood stain.

- ✓ Available in 3 sizes: A3, A2, A1
- ✓ 6mm exterior grade, moisture resistant melamine panel
- ✓ Solid dark oak wood frame
- ✓ For chalk & liquid chalk pens
- ✓ Easy to clean, anti-glare writing surface
- ✓ Indoor and outdoor use
- ✓ Supplied with fixings and fittings for wall mounting
- ✓ Can be used with an easel for freestanding display.

Code	Size	Writeable Area (mm)	O/A Size (mm)	Weight
STY002	A3	209 x 332	297 x 420	0.7 kg
STY003	A2	332 x 505	420 x 594	1.1 kg
STY004	A1	506 x 753	594 x 841	2.0 kg

Chalkboard Poster Case



High quality poster case with chalkboard back panel and clear acrylic front cover. Hinges to allow for poster insert and closes shut with a latch on the side. Suitable for use with chalk or liquid chalk pens. Supplied with wall fixings.

- ✓ Available in 3 sizes: A4, A3, A2
- ✓ 6mm exterior grade, moisture resistant melamine panel
- ✓ Solid dark oak wood frame
- ✓ For chalk & liquid chalk pens
- ✓ Protective acrylic front cover
- ✓ Easy to clean, anti-glare writing surface
- ✓ Indoor and outdoor use
- ✓ Supplied with fixings and fittings for wall mounting
- ✓ Hook and latch locking mechanism

Code	Size	Writeable Area (mm)	O/A Size (mm)	Weight
SPC001	A4	210 x 297	296 x 386	0.75 kg
SPC002	A3	297 x 420	386 x 506	1.4 kg
SPC003	A2	420 x 594	505 x 680	2.8 kg

Freestanding Chalkboard Easel



- ✓ Simple, low-cost design
- ✓ No tools required
- ✓ Also suitable for panels (max 13mm thick) or poster frames up to 800 x 1200mm/A0 in portrait or landscape orientation
- ✓ Option to buy complete with a framed A1 chalkboard panel.

Code	O/A Size (mm)	Weight
AB148	Easel Only - 662(w) x 1400(h) x 735(d)	5.0 Kg
AB148FR	Easel Complete with Framed A1 Panel	8.5 Kg

Table Top Chalkboard & Easel



Be sure to get your message across with our table top chalkboards. Perfect for cafe tables, bars, till counters and more. Ensure your customers are engaged appropriately with our quirky message boards.

Code	Size	Writeable Area (mm)
AB115	A5 (210 x 148mm)	210 x 148mm
AB116	A4 (297 x 210mm)	297 x 210mm

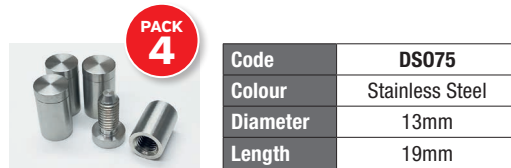
Chalkboard Panels & Table Top Message Boards

Chalkboard Panels - Best Selling, Double Sided



Our high quality, UK made, chalkboard panels are made from 6mm thick moisture resistant melamine panels and are suitable for use with chalk or liquid chalk pens. Comes complete with brass wall fixings. Can be easily drilled to accommodate stand-off wall mounts. Stainless steel stand-off fixings sold separately, see below.

Code	Panel Size (mm)	Weight
MLP001	A3 (297 x 420mm)	0.7 Kg
MLP002	A2 (420 x 594mm)	1.3 Kg
MLP003	A1 (594 x 841mm)	2.7 Kg



Curved Top Countertop Chalkboards

Made from 6mm thick melamine panels and suitable for use with chalk or liquid chalk pens. Perfect for cafe tables, bars, till counters and more.



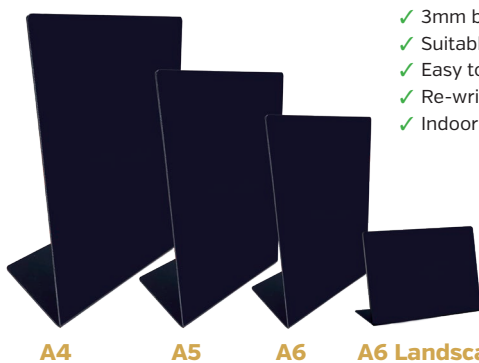
Code	O/A Size (mm)	Weight
MLP004	A5 (148w x 240h x 58d)	0.25 Kg
MLP005	A4 (210w x 317h x 58d)	0.5 Kg
MLP006	A3 (297w x 450h x 58d)	0.9 Kg



Code	O/A Size (mm)	Weight
MLP007	A5 (148w x 240h x 58d)	0.25 Kg
MLP008	A4 (210w x 317h x 58d)	0.5 Kg
MLP009	A3 (297w x 450h x 58d)	0.9 Kg

Acrylic Table Top Message Boards

Modern black satin finish acrylic message boards.



- ✓ 3mm black acrylic with smooth satin finish
- ✓ Suitable for liquid chalk pens only
- ✓ Easy to clean, anti-glare writing surface
- ✓ Re-writeable surface
- ✓ Indoor use only.



Code	Size	O/A Size (mm)	Weight
STY011	A6 Portrait	105(w) x 148(h) x 60(d)	0.1 kg
STY025	A6 Landscape	148(w) x 105(h) x 60(d)	0.1 kg
STY012	A5 Portrait	148(w) x 210(h) x 60(d)	0.2 kg
STY013	A4 Portrait	210(w) x 297(h) x 60(d)	0.3 kg

Code	Size	O/A Size (mm)	Weight	Pack
STY018	Small	150 x 50	0.1 kg	2
STY019	Large	200 x 100	0.3 kg	2

Acrylic Table Top Message Boards

Mini Tabletop A-Board



Our Stylotab Shadow range is the perfect free-standing tabletop promotional product for any Hotel, Cafe, Bar or Restaurant establishment.

- ✓ Size - 105mm (w) x 150mm (h) x 105mm (d)
- ✓ Supplied on 3mm black acrylic with a smooth satin finish.
- ✓ This product is reversible - can be written on both sides.
- ✓ Re-writeable, easy to clean, anti-glare writing surface.
- ✓ Suitable for indoor use only.
- ✓ Suitable for liquid chalk pens only.

Code	O/A Size (mm)	Weight	Pack
STY059	105(w) x 150(h) x 105(d)	0.5 Kg	2

Shaped Acrylic Table Top Message Boards

- ✓ 3mm black acrylic with smooth satin finish.
- ✓ Suitable for liquid chalk pens only.
- ✓ Easy to clean, anti-glare writing surface.
- ✓ Re-writeable surface.
- ✓ Indoor use only.



STY060 - Pk2 Double Sided



STY061 - Single Sided



STY063 - Single Sided



STY062 - Pk2 Double Sided



STY064 - Pk2 Double Sided



STY065 - Single Sided



STY066 - Single Sided

Code	Description	O/A Size (mm)	Weight	Pack
STY060	Chef Special landscape tent tabletop message board	210(w) x 148(h) x 105(d)	0.5 kg	2
STY061	Chefs Special angled portrait tabletop message board	210(w) x 300(h) x 100(d)	0.5 kg	1
STY062	Cocktail Specials landscape tent tabletop message board	210(w) x 148(h) x 105(d)	0.5 Kg	2
STY063	Cocktail Specials angled portrait tabletop message board	210(w) x 300(h) x 100(d)	0.5 Kg	1
STY064	Beer Pump & Barrel landscape tent tabletop message board	210(w) x 148(h) x 105(d)	0.5 Kg	2
STY065	Beer Pump & Barrel angled portrait tabletop message board	210(w) x 300(h) x 100(d)	0.5 Kg	1
STY066	Coffee Cup angled portrait tabletop message board	210(w) x 300(h) x 100(d)	0.5 Kg	1

Festive Acrylic Table Top Message Boards



Our Festive message board range is the perfect product for promoting any Events, Special offers or Deals at Christmas.

- ✓ 3mm black acrylic
- ✓ Liquid chalk pens only.
- ✓ Anti-glare writing surface.
- ✓ Re-writeable surface.
- ✓ Indoor use only.



Code	Description	O/A Size (mm)	Weight
STY067	Jingle Bells	148 x 150 x 100	0.5 kg
STY068	Snowman		
STY069	Christmas Tree		
STY070	Holly		
STY071	Reindeer		

Chalk it up...

Explore our colourful range of liquid chalk pens, with various size nibs in assorted colours. Use our pens on any non-porous surface, indoors and outdoors. Chalk pens are versatile and can be used on a range of **chalkboards, message boards, windows, glass, ceramic, metal** and **plastic**.



Bullet Tip Interior/Exterior Liquid Chalk Pens



Code	Nib Size	Pack Quantity	Colour
CMP001	1.8 - 2.5mm	4	White
CMP002	1.8 - 2.5mm	4	Multi-Colour (White, Yellow, Red & Blue)
CMP003	1.8 - 2.5mm	8	Multi-Colour (White, Yellow, Red, Blue, Green, Pink, Orange & Violet)

Chisel Tip Interior/Exterior Liquid Chalk Pens



Code	Nib Size	Pack Quantity	Colour
CMP004	8mm	1	White
CMP005	8mm	4	Multi-Colour (White, Yellow, Red & Blue)
CMP006	8mm	8	Multi-Colour (White, Yellow, Red, Blue, Green, Pink, Orange & Violet)

Table Top Menu & Poster Displays

Single Sided Clear Acrylic Displays



Portrait



Landscape

Our single sided poster holders are angled for optimum viewing from above and make it quick and easy to change inserts. They are manufactured from hard wearing high quality 2mm thick acrylic and feature polished edges to display your printed menus, offers, or price cards in a professional way.

PORTRAIT		
Code	Paper Size	O/A Size (mm)
RS154	A8	74 x 52
RS155	A7	74 x 105
RS156	A6	105 x 148
RS157	1/3 A4	99 x 210
RS035	A5	148 x 210
RS036	A4	210 x 297

LANDSCAPE		
Code	Size	O/A Size (mm)
RS148	A8	52 x 74
RS149	A7	105 x 74
RS150	A6	148 x 105
RS151	A5	210 x 148
RS152	A4	297 x 210

Double Sided Clear Acrylic Displays



Portrait



Landscape

Our double sided displays stand straight for optimum viewing from both sides and make it quick and easy to change inserts. They are manufactured from hard wearing high quality 2mm thick acrylic and feature polished edges to display your printed menus, offers, or price cards in a professional way.

PORTRAIT		
Code	Paper Size	O/A Size (mm)
RS165	A8	74 x 52
RS166	A7	74 x 105
RS167	A6	105 x 148
RS092	1/3 A4	99 x 210
RS037	A5	148 x 210
RS038	A4	210 x 297

LANDSCAPE		
Code	Paper Size	O/A Size (mm)
RS159	A8	52 x 74
RS160	A7	105 x 74
RS161	A6	148 x 105
RS162	A5	210 x 148
RS163	A4	297 x 210

3 Sided Clear Acrylic Display

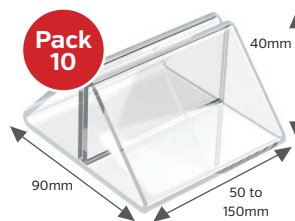


This 1/3 A4 Clear Acrylic Three Sided Menu Holder is great way to promote menus and promotional offers on a counter or table.

- ✓ Available in 1/3 A4 size.
- ✓ Free-standing 3 sided menu holder for paper or card.
- ✓ Triple sided advertising.
- ✓ The base offers easy access to update your message.

Code	Paper Size	O/A Size (mm)
RS206	1/3 A4 (99x210mm) x 3	100 x 215 x 90

Clear Acrylic Menu Holders



These clear acrylic menu card holders are most commonly used by cafés, snack bars, pubs and restaurants to hold menus or promotional inserts on counters, table tops and shelves.

- ✓ Sold in packs of 10
- ✓ For inserts up to 5mm thick
- ✓ 2mm clear high impact acrylic
- ✓ Available in 3 Sizes.

Code	Width (mm)	Pack Size
RS053	50(w) x 40(h) x 90(d)	10
RS063	75(w) x 40(h) x 90(d)	
RS054	100(w) x 40(h) x 90(d)	
RS064	150(w) x 40(h) x 90(d)	

Oval Base Double-Sided Portrait Clear Acrylic Display



Bring some style and professionalism to your business by displaying your menus, posters or promotional inserts in these sleek oval based menu and poster holders. These are an excellent way to display any information.

- ✓ Made of injection moulded polystyrene (GPSS)
- ✓ Available in three sizes: A6, A5 and A4
- ✓ Oval bases with round edges - stylish and easy to clean
- ✓ Thumb slot on top edge for quick and easy poster removal

Code	Paper Size	O/A Case Size (mm)
RS169	A6 (105 x 148mm)	124(w) x 157(h) x 65(d)
RS170	A5 (148 x 210mm)	170(w) x 215(h) x 70(d)
RS171	A4 (210 x 297mm)	232(w) x 303(h) x 90(d)



Wooden Table Top Menu Holders

Numbered Menu Holders

Our table top wooden menu blocks have 2 x 3mm gaps to hold multiple menus or other inserts. Available with either a brushed gold or silver metal plate. Please state required plate colour and numbers when ordering.



Code	Block Colour	
AB124	Light Wood	
AB124 DW	Dark Wood	
O/A Size (mm)	Menu Slots	Insert Depth
90(w) x 90(h) x 90(d)	2 x 3mm	45mm

Chalkboard Menu Holders

These adaptable 3mm thick chalkboard wooden menu holders are perfect for restaurants, cafés and bars that want to easily change their table numbers or names, whilst safely storing their menus upright.



Code	Block Colour		
AB085	Dark Wood		
AB085 LW	Light Wood		
O/A Size (mm)	Front (mm)	Back (mm)	Gap (mm)
200(w) x 205(h) x 70(d)	200 x 100mm	200 x 180	20

Personalised Options

Full colour branding plate. Gold and Silver options available.



Code	Block Colour
AB125	Dark Wood
AB125 LW	Light Wood

Personalised Options

Full colour branding plate. Gold and Silver options available.



Code	Block Colour
AB156	Dark Wood
AB156 LW	Light Wood

HOW TO ORDER: Simply select the colour of the base and branding plate you require and state the product code and quantity. Send us your artwork or design brief. Any logos, in-house styles or design requirements must be clearly explained in an email and supplied in high quality PDF or JPG format. A proof will be provided for approval before going to print.

Wooden Clip Board



Our high quality, UK made, clipboards are a simple and practical solution for presenting your menus or specials to customers and available in two sizes to hold menus up to A4 in size. Manufactured from 6mm playwood, supplied from FSC approved sustainable sources.

Code	O/A Size (mm)
MLP011	A5 (155w x 220h)
MLP010	A4 (220w x 330h)

Wooden Menu Holder



Our high quality, UK made, twin panel menu holders are manufactured from 18mm thick pine panels and are ideally suited for menus up to A3 in size. **Weight:** 0.4 Kg



Branding Options Available Contact Us for Details

Code	O/A Size (mm)
MLP012	110(w) x 110(h) x 177(d)

Table Top Menu Holders

Laser Engraved Menu Holders - **NEW** Metallic Gold & Silver

These menu card holders are most commonly used by cafés, snack bars, pubs and restaurants to hold menus or promotional inserts for table tops.

Plain Menu Holders - Sold in Packs of 5			
Code	Colour	O/A Size (mm)	Qty
RS235	White	90(w) x 45(h) x 75(d)	Pack 5
RS236	Black		
RS237	Metallic Gold		
RS238	Metallic Silver		

Numbered Engraved Menu Holders - Sold individually			
Code	Colour	O/A Size (mm)	Qty
RS222	White	90(w) x 45(h) x 75(d)	1
RS223	Black		
RS224	Metallic Gold		
RS225	Metallic Silver		



HOW TO ORDER: Simply select the colour you require and state the product code and quantity. If you require numbers, please inform us of the numbers you need and ensure this matches the quantity you require - *e.g. Numbers required: 30 - 40. Order quantity: 11 units in total*

Numbered or Personalised Menu / Leaflet Holders

These metal single channel table information holders are ideal to hold menus, leaflets or promotional literature. Available in 3 standard colours with the options of plain or numbered holders as standard. To hold literature from A6 to A4 in size. Internal use only.



Plain Menu Holder	
Code	Metal Colour
RS117	Gloss White
RS118	Brushed Gold
RS119	Brushed Silver

Numbered Menu Holder	
Code	Metal Colour
RS120	Gloss White
RS121	Brushed Gold
RS122	Brushed Silver

Custom Printed Menu Holder	
Code	Metal Colour
RS120BR	Gloss White
RS121BR	Brushed Gold
RS122BR	Brushed Silver

How to Order Your Custom Printed Menu Holders & Table Numbers

For our personalised options, simply select the colour and state the product code and quantity you require. Brushed Gold and Silver are ideal for 1 and 2 colour printing and Gloss White for full colour printing. **Please note that we cannot print white**, so any areas of white within your design/logo will show through as the base colour. Any logos, in-house styles or design requirements must be clearly explained in an email and supplied in high quality PDF or JPG format, a proof will be provided for approval before going to print. **We offer a free design service but a minimum order of 10 units to avoid a set-up charge.** Lead time 3 - 5 working days from proof approval. **Photo images can be added as shown in the Burgers & Beer design above.**

More Than Just a Table Number...

It's an Essential Marketing Tool for Your Business!



The Emperor Range - Custom Printed Table Numbers

Personalise these table numbers with your own full colour design, adding your corporate identity in your brand colours and style, add photos and QR codes to enhance your design further. Ideal for any hospitality setting, these personalised slimline tall table numbers will enhance your tables while promoting a professional and corporate image throughout your venue.

- Ideal for adding QR codes to interact with customers
- Gloss White is perfect for vivid full colour printing
- Brushed Gold or Silver is ideal for single/two colour print
- Free design service* - minimum order 10 units.
- Increase Brand Awareness & Interact with Customers
- Let Customers Order & Pay From Their Table
- Download or View Your Menus on their Smart Phone
- Get Customers to Visit Your Social Media
- Inform Customers What's On & Your Future Events



Code	Gloss White Metal
RS129BR	Tall 75(w) x 250(h) x 110(d)
RS239BR	Short 75(w) x 125(h) x 110(d)

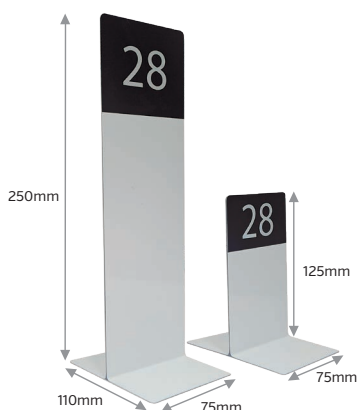
Code	Brushed Gold Metal
RS130BR	Tall 75(w) x 250(h) x 110(d)
RS240BR	Short 75(w) x 125(h) x 110(d)

Code	Brushed Silver Metal
RS131BR	Tall 75(w) x 250(h) x 110(d)
RS241BR	Short 75(w) x 125(h) x 110(d)

*Minimum Order subject to sight of artwork and based on one design for all units. Multiple/individual designs or QR codes per unit to be quoted.

The Emperor Range - Slimline Metal Table Numbers

These metal table numbers are a popular choice for Hotels, Cafés, Bars & Restaurants. Any Number or Letter can be ordered and are printed on both sides. Tall table number: Height: 250mm. Base: 75x110mm. Short Table Number: Height: 125mm. Base: 75x110mm



Code	Gloss White
RS129	Tall 75(w) x 250(h) x 110(d)
RS239	Short 75(w) x 125(h) x 110(d)

Code	Brushed Gold
RS130	Tall 75(w) x 250(h) x 110(d)
RS240	Short 75(w) x 125(h) x 110(d)

Code	Brushed Silver
RS131	Tall 75(w) x 250(h) x 110(d)
RS241	Short 75(w) x 125(h) x 110(d)

QR Code Table Ordering

Scan & Deliver! - Deliver the best quality of service to your customers with our range of QR Code table number products!



How to Order:

1. Choose your required product and state the code and colour.
2. Send us your design brief along with your QR code or codes.
3. If a different QR code is required for each table. An additional set-up charge would apply.
4. If you require the same design and QR code on each plate. Set up is free, no additional charge.
5. A proof of design will be sent for your approval before going to print.
6. Lead time 3 - 5 working days from approval of artwork.

QR Code Artwork Guidelines:

- For full colour print, your QR codes must be supplied in high quality PNG format with transparent background.
- Laser engraved QR codes must be supplied in Vector .EPS or .SVG format. JPG, PNG or other photo image formats cannot be used for laser engraving. The laser has to follow a path.
- Artwork templates and QR Code creation guides available on request.

Metal Photo QR Code Range

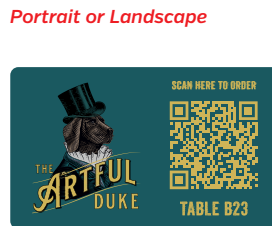
Our Metal Photo QR Code Range is custom designed to your specifications. With 3 styles to choose from, they are printed in full colour onto a 0.7mm thick gloss white aluminium plate and come complete with high-tack adhesive backing for ease of application. Our 100 x 100mm and 100 x 60mm plates are suitable for both indoor and outdoor use. Our table tent style notice is printed on both sides and is suitable for indoor use only - ideal for hotel rooms for room service or guest information. We offer a free design service but a minimum order of 10 units is required.



DS081 100 x 100mm



DS082 100 x 60mm



Portrait or Landscape



DS080 100 x 60 x 60mm

Laser Engraved QR Code Range

Suitable for both indoor and outdoor use, with a choice of coloured 1.6mm thick laser laminates and 3 standard sizes, our laser engraved QR Code Range can be custom designed to your specifications. However, we can cut custom sizes and shapes to order. Each plate comes with a strong high-tack adhesive backing for ease of application or can be supplied with laser-cut holes for screw fixing. We offer a free design service but a minimum order of 10 units is required. Please see the How To Order and QR Code Artwork Guidelines above or contact the office for further details and assistance.



DS076 100 x 100mm



DS077 100 x 60mm



Portrait or Landscape
State on order if holes are required for screw fixing



DS078 60mm Diameter

Laser Laminate Material Colour Swatch - Other colours available on request.

TEXT	TEXT	TEXT	TEXT	TEXT	TEXT	TEXT
Brushed Gold Black Text	Brushed Silver Black Text	Black White Text	White Black Text	Red White Text	Blue White Text	Yellow Black Text

See our Hotel & Leisure section for our QR Code Customer Review Signs

Engraved Patio Table number discs - 38mm Diameter

Our 38mm diameter Laser engraved number discs are ideal for outdoor cafe, bar, and restaurant tables. These numbered discs are also ideal as seating numbers for stadiums, theaters or concert venues. Can also be used as locker numbers or cloakroom numbers. Suitable for indoor and outdoor use. Material: 1.6mm laser laminate. Up to 3 figure numbers or letters. Choice of self adhesive backing or supplied with screw holes. [Screws not supplied]

RS194	White (Black Number)
RS031	Brushed Gold (Black Number)
RS032	Brushed Silver (Black Number)
RS242	Black (White number)

RS195	White (Black Number)
RS137	Brushed Gold (Black Number)
RS138	Brushed Silver (Black Number)
RS243	Black (White number)

RS226	White (Black Number)
RS227	Brushed Gold (Black Number)
RS228	Brushed Silver (Black Number)
RS244	Black (White number)

Various colours and sizes available, contact us for more information

Engraved Reserved Notices

Suitable for indoor and outdoor use. Material: 1.6mm laser laminate. Engraved text on both sides. **Size:** 120 (w) x 40 (h) x 40mm (d)

RS232	Metallic Gold
-------	---------------

RS230	White
-------	-------

RS233	Metallic Silver
-------	-----------------

RS231	Black
-------	-------

Branding Available
Contact Us for Details

See Page 44 for Menu Holder

Rustic Wooden Table Numbers & Notices

Suitable for indoor and outdoor use. Wooden toblerone block with printed gold aluminium plate on both sides.

Code	O/A Size (mm)
RS135	80(w) x 50(h) x 30(d)

Code	O/A Size (mm)
RS136	120(w) x 50(h) x 30(d)

Custom Text

Max 3 lines

Code	O/A Size (mm)
RS245	120(w) x 50(h) x 30(d)

Brushed Silver Plate Also Available

Branding Available
Contact Us for Details

Stainless Steel Table Numbers & Notices

Suitable for indoor and outdoor use. 1mm thick. Numbers available 1 -30.

Set 10

40 x 50mm

Code	Description
ST 01-10	Set 1 - 10
ST 11 - 20	Set 11 - 20
ST 21 - 30	Set 21 - 30
TST	Replacement No.

Code	O/A Size (mm)
ST001	120 x 40 x 40

Code	O/A Size (mm)
ST002	120 x 40 x 40



Function Room & Banquet Table Numbers

Bar & Restaurant Table • Sport & Leisure Function Rooms • Garden Centres & Cafés • Hotel & Guest Houses



Saturn Range - 5 stand colours & 4 colour number options as standard

Clearview - made from 3mm clear acrylic

TIBERIUS Function Room Table Numbers



Made from 3mm perspex with vinyl cut letter or number added to both sides. Ideal for large function room tables.

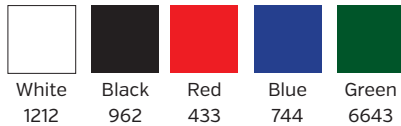
Size: Height 290mm. Width 85mm. Base 90x85mm

Unique design for easy of storage. Choice of 5 colours.

Example of How to order:

- State Product code: SFR002
- State colour of material: Blue 744
- State colour of number or letter: Gold
- State quantity: 20
- Advise the numbers / letters required: 1 set 1 to 20

Stand Colour Options:



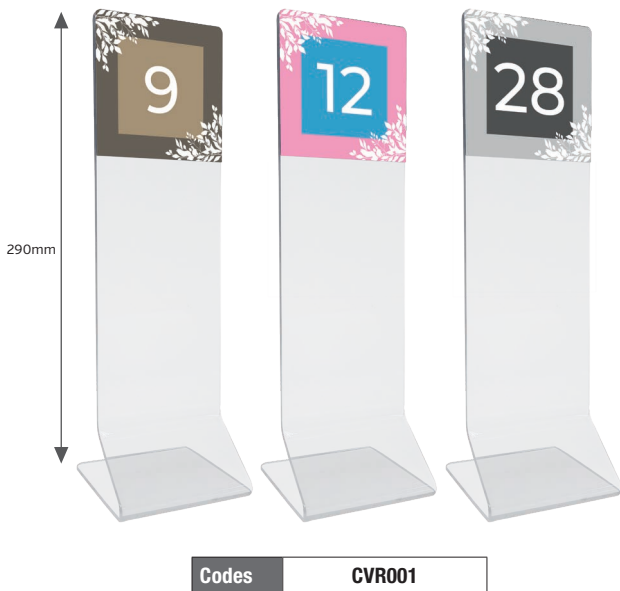
Space saving design!
Easy to stack and store!

Number Colour Options:



Code SFR002

CRYSTAL Party Table Numbers



Made from 3mm clear acrylic with attractive choice of printed metal header. Ideal for wedding venues. Size: Height 290mm. Width 85mm. Base 90x85mm. Unique design for easy of storage.

Size: Height 290mm. Width 85mm. Base 90x85mm

Example of How to order:

- State Product code: CVR001
- State style of plate: Style A
- State quantity: 20
- Numbers / letters required: 1 set 1 to 20

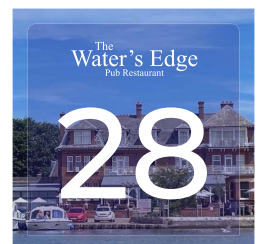
Custom Headers

Design your own header. Add your hotel name and choose your colours. You can even add a photo.

Stand Plate Colour Options:



Style A Style B Style C



Contact us for details about our custom headers

Codes CVR001

Merlin Table Numbers



Made from 2mm thick Anti-bacterial white rigid plastic, with vinyl cut numbers added in a colour of your choice. Height: 150mm. Width 100mm. Depth 100mm

Example of How to order:

State Product code: MTN001
 State colour of number: Black
 State quantity: 15
 Advise the numbers / letters required: 1 set 1 to 15

Number Colour Options:



Custom Made Table Notices

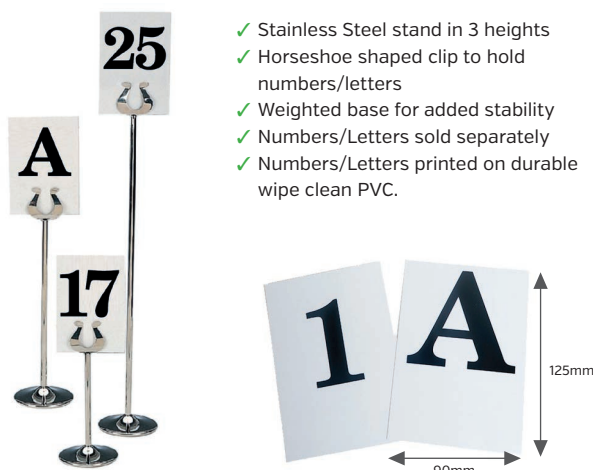
Cannot find the sign your looking for.... Create your own with your choice of text, design and size. Get your brand message across!



- ✓ Full colour print to enhance your brand and message
- ✓ Your choice of text
- ✓ Your design
- ✓ Choose your size and material
- ✓ FREE Design Service
- ✓ Ideal for almost any hospitality setting or venue
- ✓ No minimum order

Contact us today for a free quote and to discuss your requirements

Stainless Steel Table Numbers



- ✓ Stainless Steel stand in 3 heights
- ✓ Horseshoe shaped clip to hold numbers/letters
- ✓ Weighted base for added stability
- ✓ Numbers/Letters sold separately
- ✓ Numbers/Letters printed on durable wipe clean PVC.

Code	Stand Height (mm)	Colour
RS021	200 x Base 75mm Diameter	Stainless Steel
RS022	300 x Base 75mm Diameter	
RS023	400 x Base 75mm Diameter	

Code	Description	Material
BN001	Set 1 - 10	90 x 125mm 700 micron PVC
BN002	Set 11 - 20	
BN003	Set 21 - 30	
BN004	Set 31 - 40	
BN005	Set 41 - 50	
BN006	Set A - Z	
RS024	Replacement Numbers/Letters	

Table Numbers

Camelot Gold on Black Table Numbers & Notices

These strong high impact styrene (HIPS) table numbers and notices are 3mm thick. Ideal for cafés, deli's, bars and restaurants.



Code	Description	O/A Size (mm)
TNB 01-10	Set 1 - 10	50 x 50 x 50
TNB 11 - 20	Set 11 - 20	
TNB 21 - 30	Set 21 - 30	
TNB 31 - 40	Set 31 - 40	
TNB 41 - 50	Set 41 - 50	
TNB + (No.)	Replacement	



Code	O/A Size (mm)	Pack
TNBR	50 x 50 x 50	10



Code	O/A Size (mm)	Pack
TNBS	50 x 50 x 50	10



Code	O/A Size (mm)	Pack
TTB01	110 x 45 x 45	5



Code	O/A Size (mm)	Pack
TTB02	110 x 45 x 45	5



Code	O/A Size (mm)	Pack
TTB05	110 x 45 x 45	5

Camelot Black on White Table Numbers & Notices



Code	Description	O/A Size (mm)
TNW 01-10	Set 1 - 10	50 x 50 x 50
TNW 11 - 20	Set 11 - 20	
TNW 21 - 30	Set 21 - 30	
TNW 31 - 40	Set 31 - 40	
TNW 41 - 50	Set 41 - 50	
TNW + (No.)	Replacement	



Code	O/A Size (mm)	Pack
TNWR	50 x 50 x 50	10



Code	O/A Size (mm)	Pack
TNWS	50 x 50 x 50	10



Code	O/A Size (mm)	Pack
TTW01	110 x 45 x 45	5



Code	O/A Size (mm)	Pack
TTW02	110 x 45 x 45	5



Code	O/A Size (mm)	Pack
TTW05	110 x 45 x 45	5

THE EMERALD RANGE Table Numbers

TABLE NUMBER



Code ER001

Add a touch of class to your tables with these exclusive personalised table numbers. Professionally laser cut from 8mm thick glass effect acrylic with your table number and establishment name etched into the surface as standard. Complemented with a champagne gold metal base.

We can also incorporate Logos, brand images or QR codes. Contact the office for further details on this service.

Product details: ER001 to ER006

- Material:** Laser cut 8mm thick glass effect acrylic
- Number Size:** Width: 75mm, Height: 250mm, Thickness: 8mm
- Base Size:** Width: 75mm, Depth: 70mm
- Base Material:** 0.5mm Champagne Gold aluminium



Code ER002

Code ER003

Code ER004

Code ER005

Code ER006

MONUMENT RANGE Table Numbers

MONUMENT NUMBER



Code ER007

MONUMENT RESERVED



Code ER008

Add a touch of class to your tables with these exclusive personalised table numbers. Professionally laser cut from 8mm thick glass effect acrylic with your table number and establishment name etched into the surface as standard. Complemented with a champagne gold metal base.

Product details: ER007 & ER008

- Material:** Laser cut 8mm thick glass effect acrylic
- Size:** W: 150mm, H: 125mm, Thickness: 8mm
- Base Size:** Width: 150mm, Depth: 70mm
- Base Material:** 0.5mm Champagne Gold aluminium



How To Order & Artwork Guidelines

Any design requirements must be clearly explained in an email and a proof will be provided for approval before going to print. Logos and QR Codes must be supplied Vector .EPS or .SVG format. **JPG, PNG or other image formats cannot be used for laser engraving or etching.** Artwork templates and QR Code Creation guides available upon request. To order, state the product code and quantity required. e.g.. 1 set numbers 1 - 20.

We offer a free design service and branding (subject to sight of artwork). Lead time 3 - 5 working days from proof approval.



Unit 6 Furness Drive
Poulton Business Park
Poulton-Le-Fylde
Lancashire FY6 8JS

T: 01253 765 859

E: sales@miletasigns.co.uk

www.miletasigns.co.uk